



Installation

Model specific instructions

For:

- Moto Guzzi Griso 850
- Moto Guzzi Griso 1100
- Moto Guzzi Griso 1200
- Moto Guzzi Stelvio 1200

These instructions are a model specific add-on to the general BoosterPlug installation instructions.

The general BoosterPlug installation instructions can be found in the "Downloads" section on the BoosterPlug.com website:

<http://www.boosterplug.com/shop/cms-downloads.html>

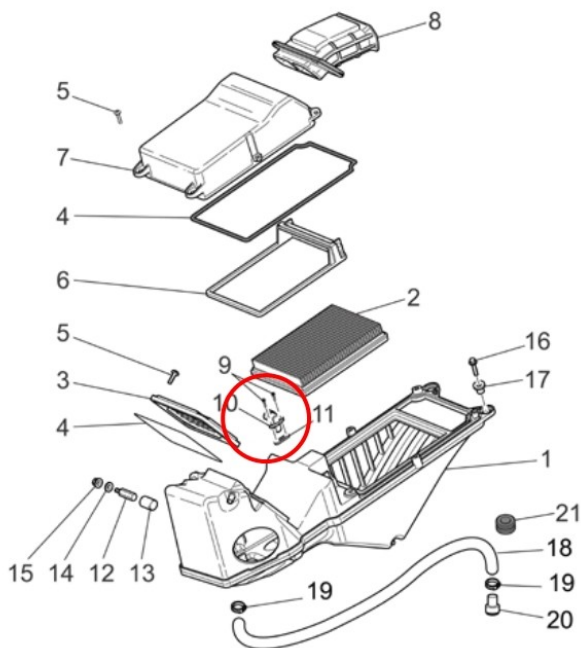
Installation Tips

- The pictures below should help you locate the AIT sensor where the BoosterPlug is installed.
- The AIT sensor is found in the top of the air filter box - on the right hand side.
- Install the BoosterPlug module as per the general installation papers.
- You have several choices for the BoosterPlug sensor location, but our favorite place is near the steering head or under the head light. Just stick to the simple rules in the general installation instructions for placing the external sensor, and you'll be fine.

Pictures

For:

- Moto Guzzi Griso 850
- Moto Guzzi Griso 1100
- Moto Guzzi Griso 1200



For:

- Moto Guzzi Stelvio 1200

